

Lab 4

This lab will demonstrate a burglar alarm system with four zones which displays the active alarm zone number on the display. If more than one zone is activated a 'C' is displayed to indicate a combination of active zones. Figure 1 shows the flow chart of the program.

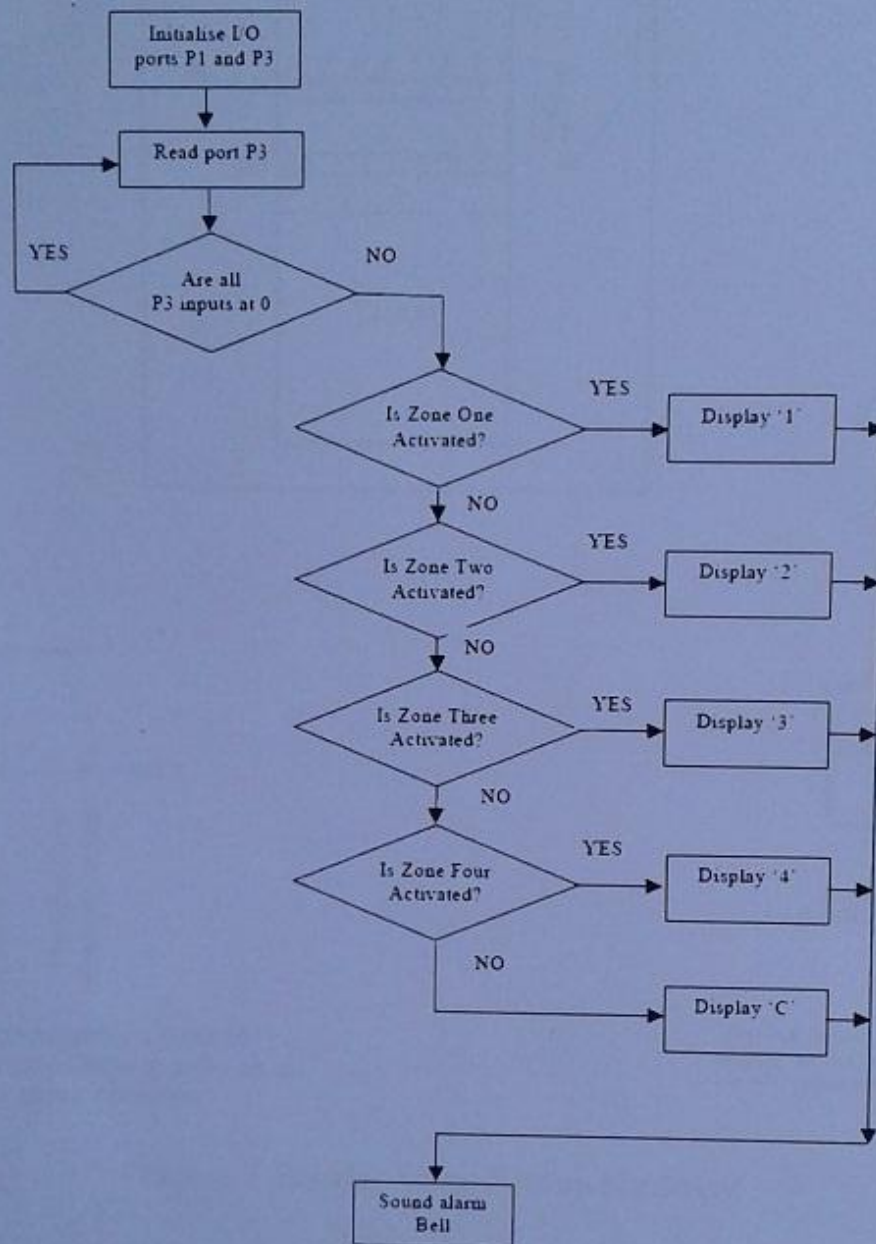


Figure 1 Program Flow Chart

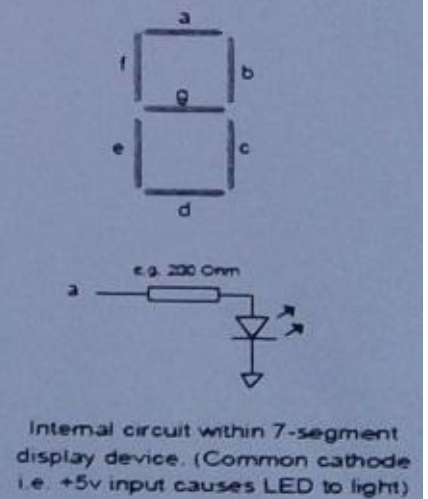
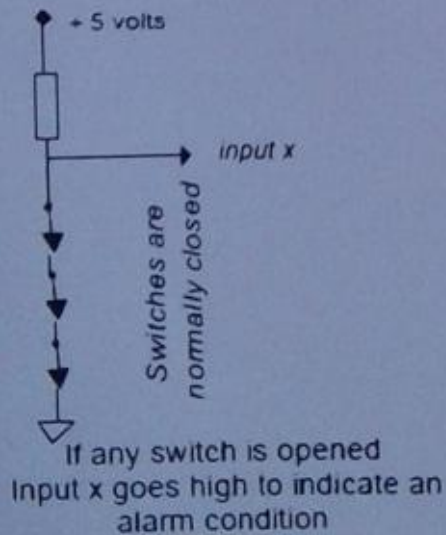
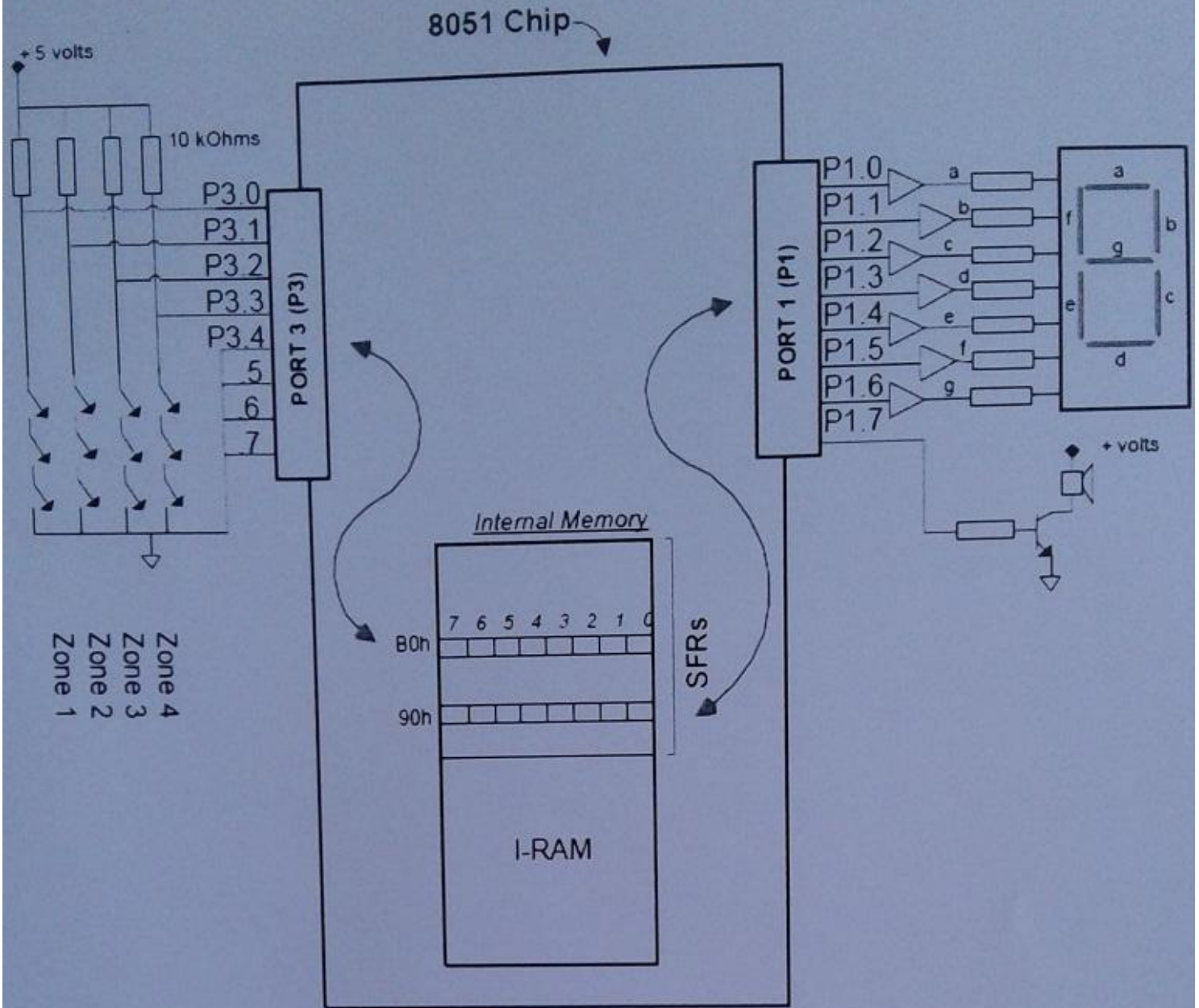


Figure 2 Burglar Alarm System Hardware