

EGN 1110C
Homework #2

Instructions: Redraw the following figures. Do not include dimensions or construction lines. All figures should be done in the "Model" tab in AutoCAD. Each figure should be layout in separate pages (layouts) and each page should have the information shown in the title block. Title blocks should be inserted from the "Layout" tabs and there should not be any Title Blocks in the "Model Tab". All work should be done by computer and final work should be stapled. Use one Layer for each figure and the color of this layer should not match the color of the "Model" space. All figures should be created in one AutoCAD file.

Homework that does no meet the above criteria will not be graded.

Units: Inches

Figure #1: 25 points

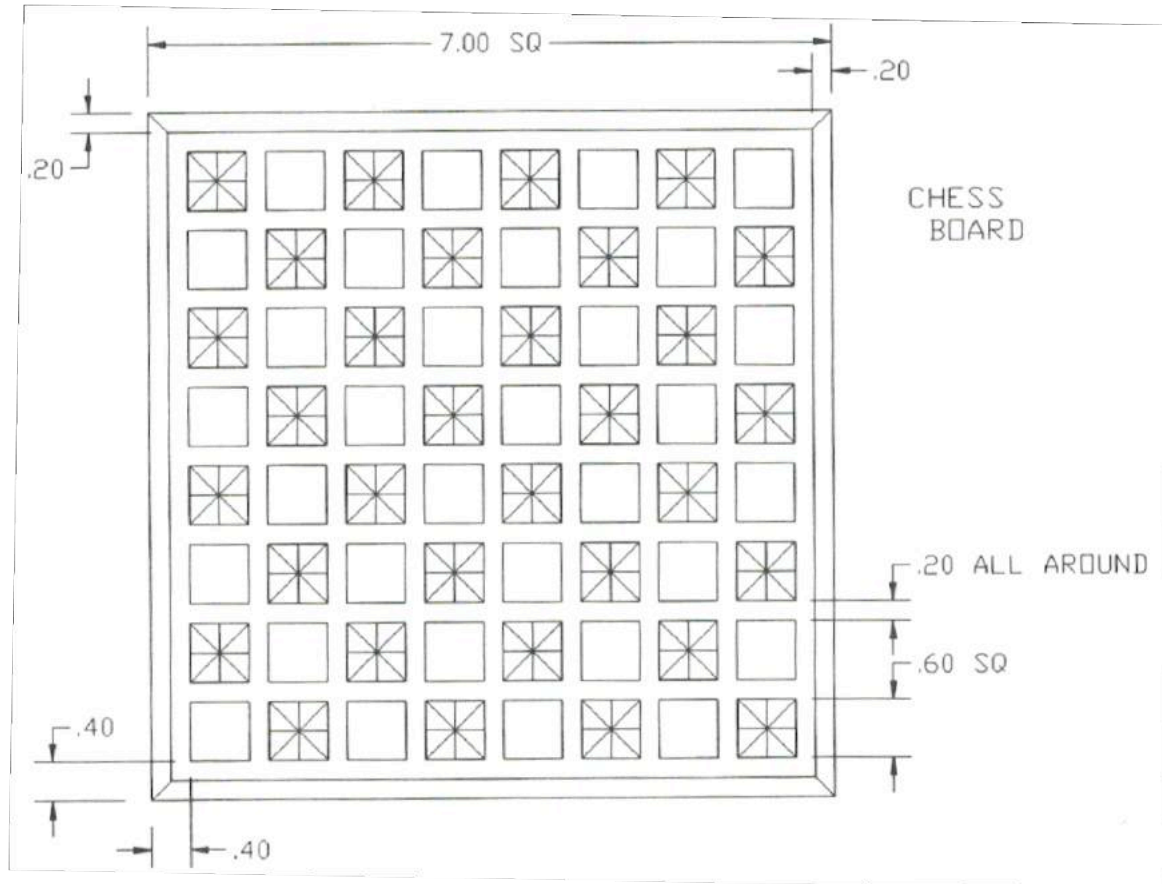


Figure #2: 25 points

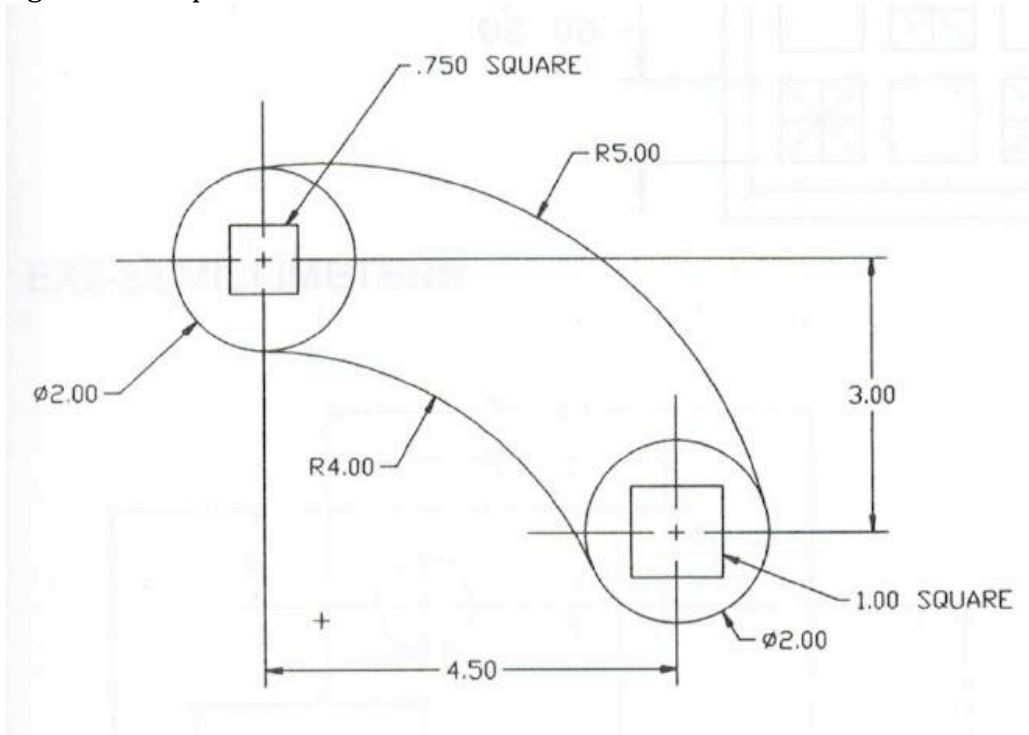


Figure #3: 25 points

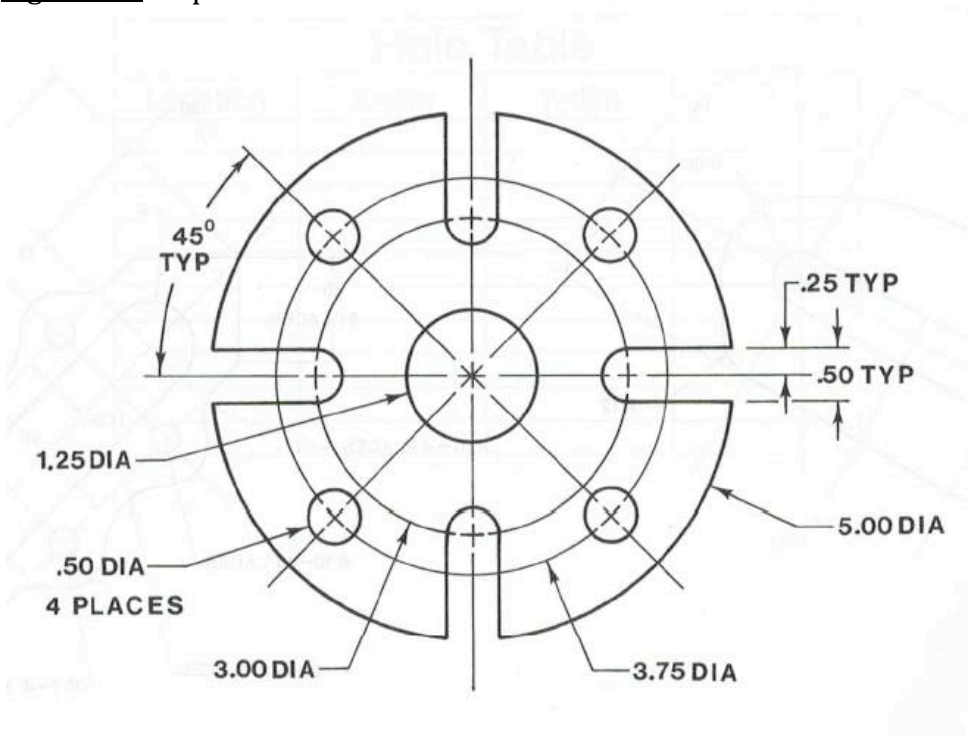


Figure #4: 25 points

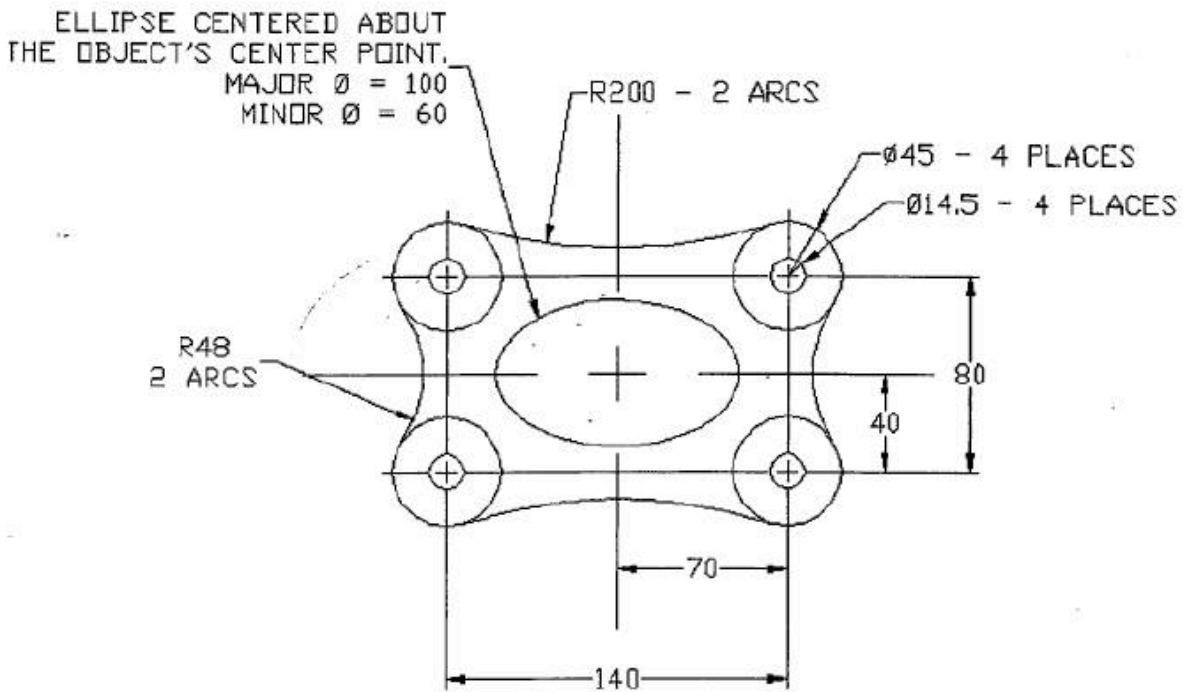


Figure #5: 25 points

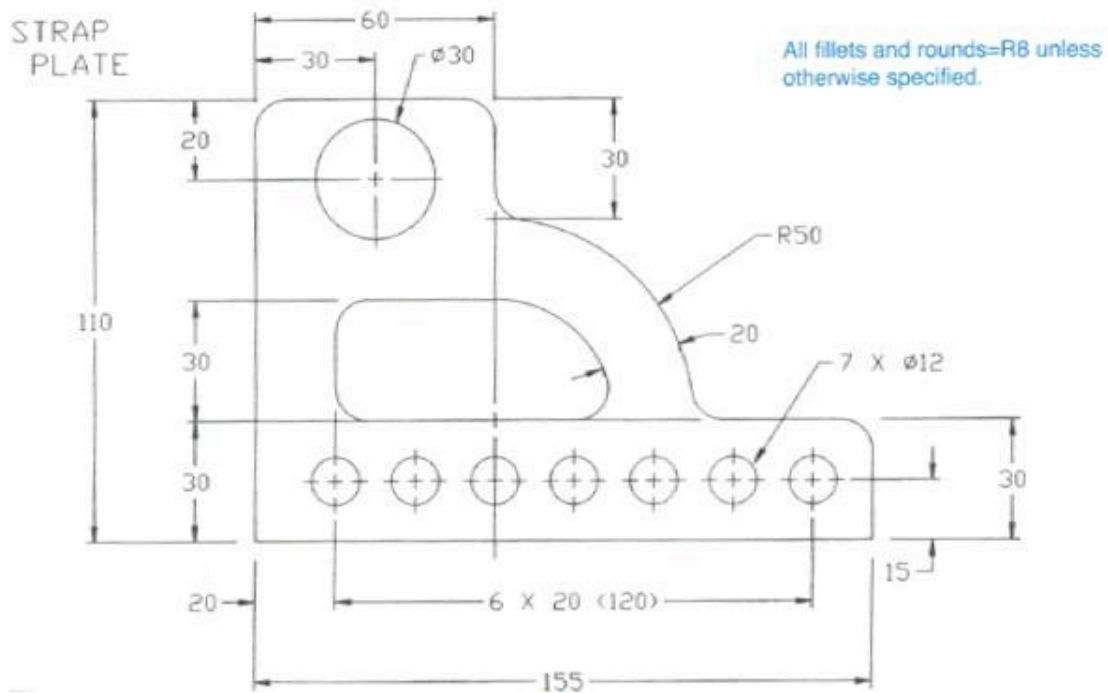


Figure #6: 25 points

Draw a circle, mark off 24 equally spaced points, then connect each point with every other point using only straight lines.

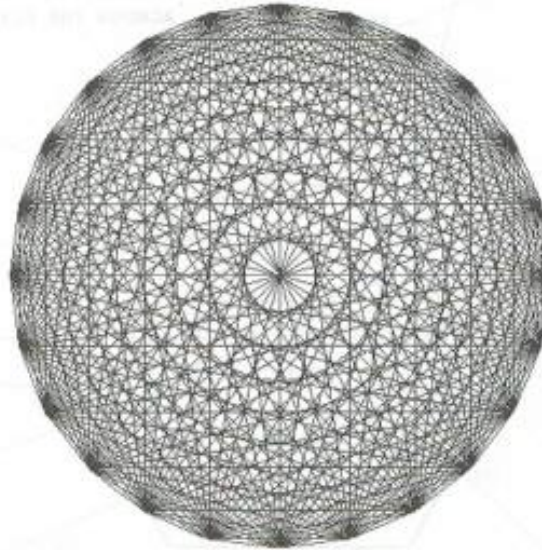


Figure #7: 25 points

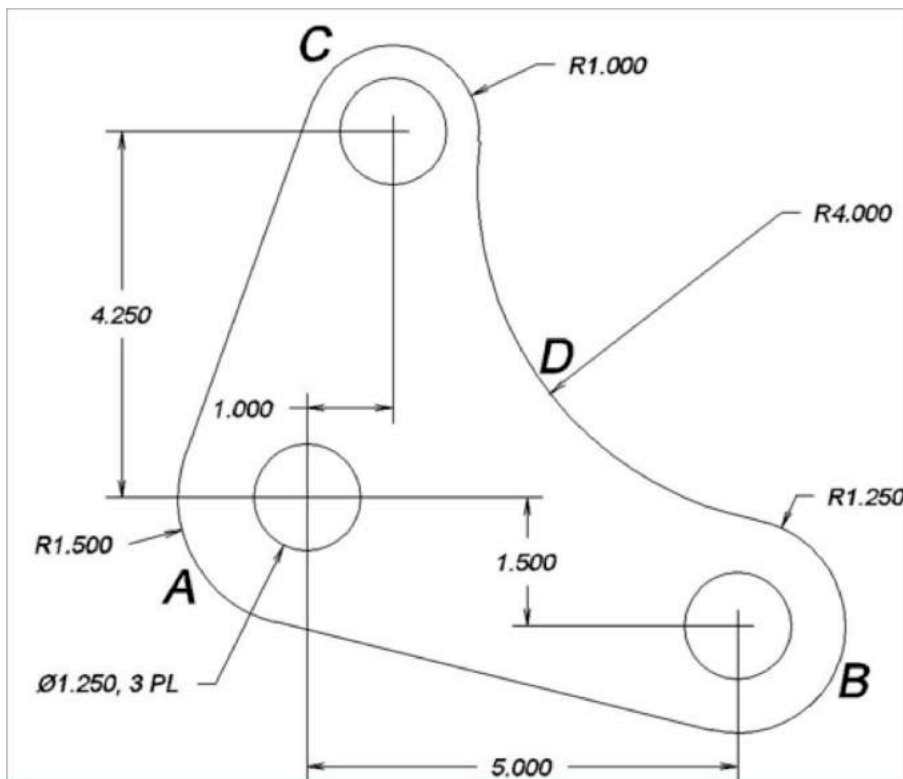


Figure #8: 25 points

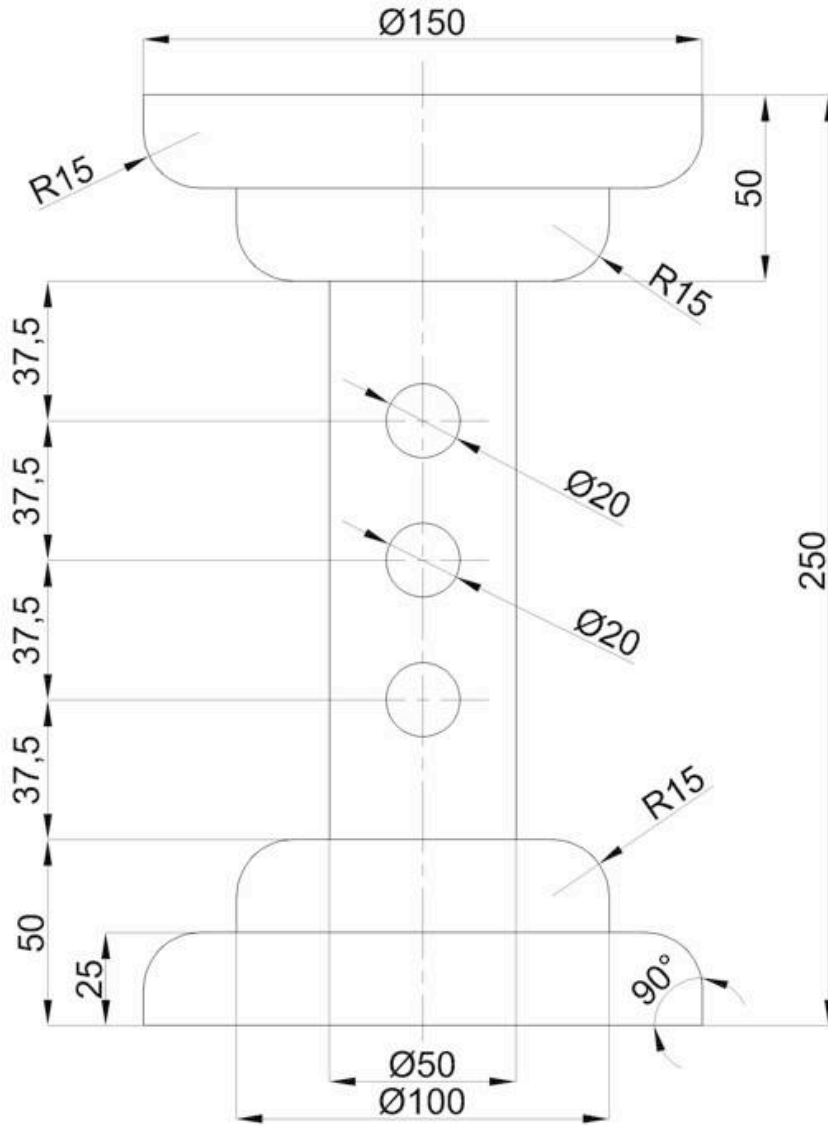


Figure #9: 25 points

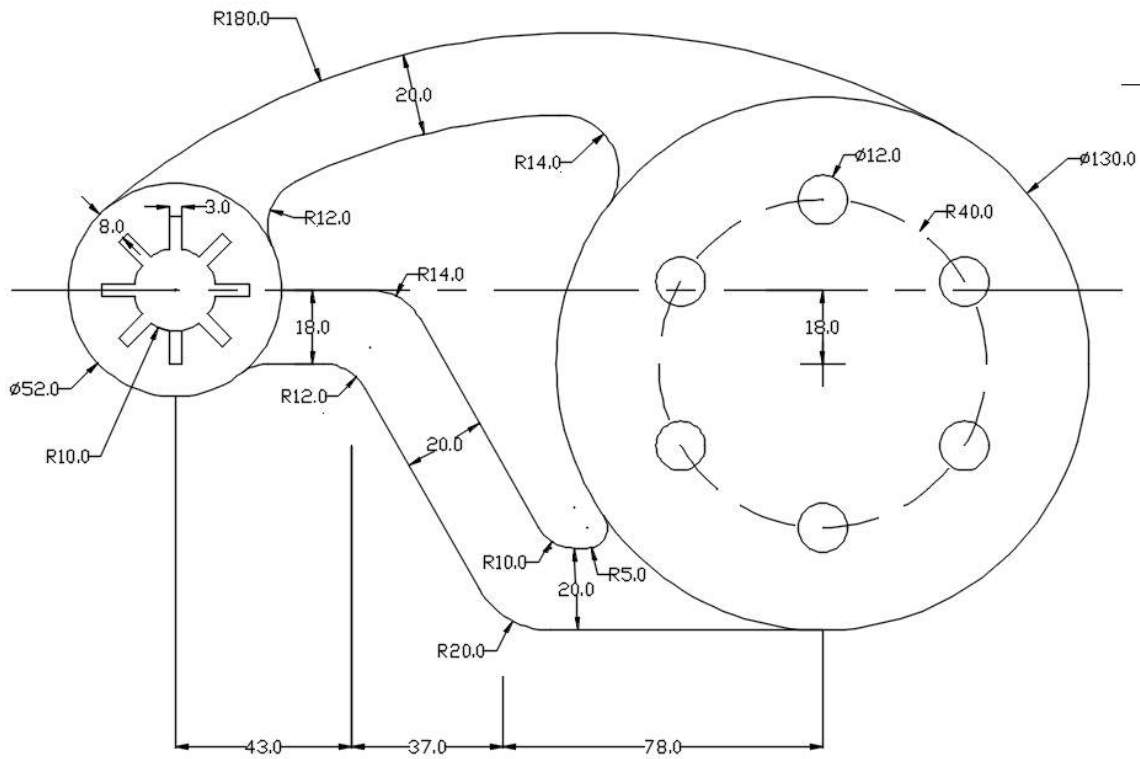


Figure #10: 25 points

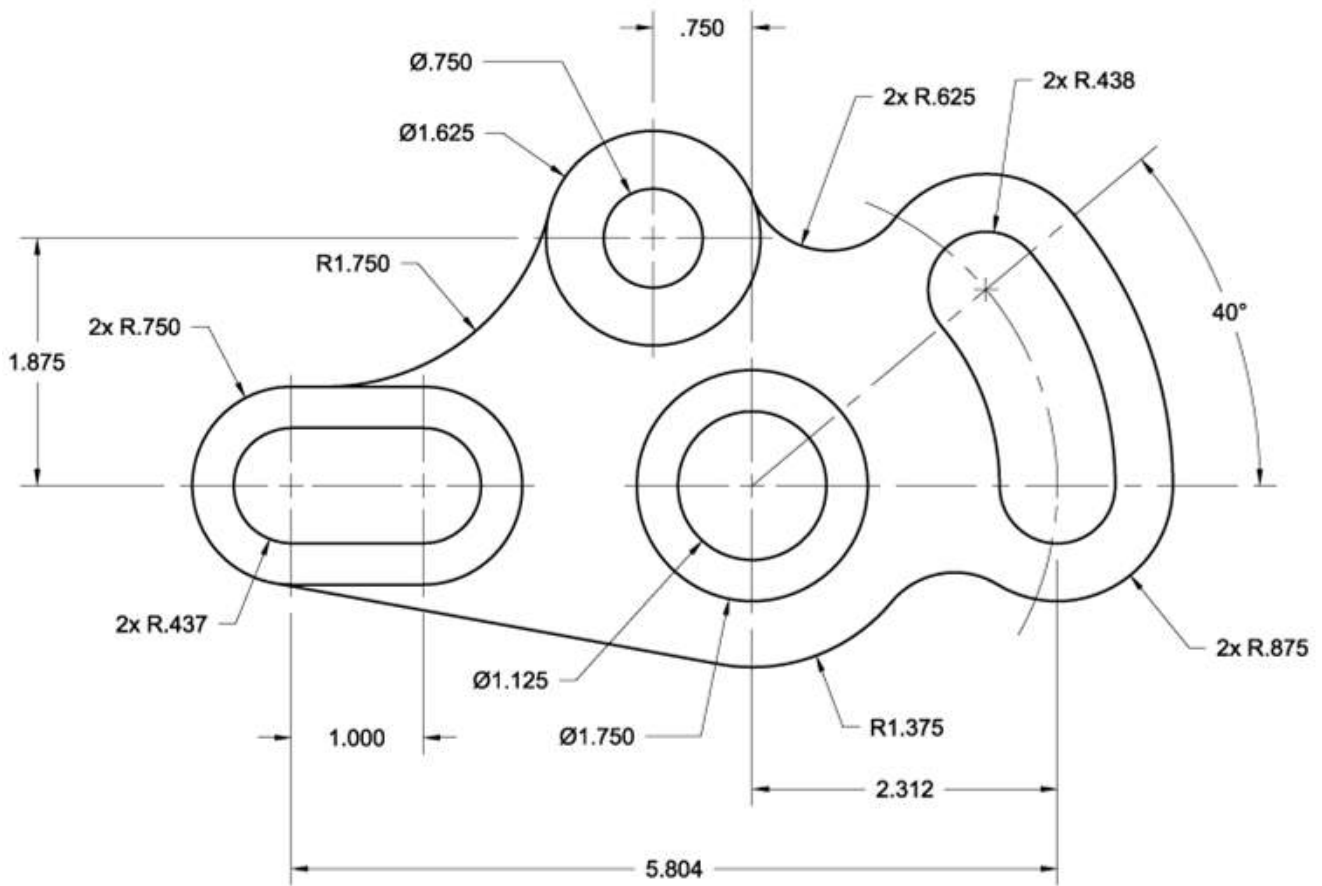


Figure #11: 25 points

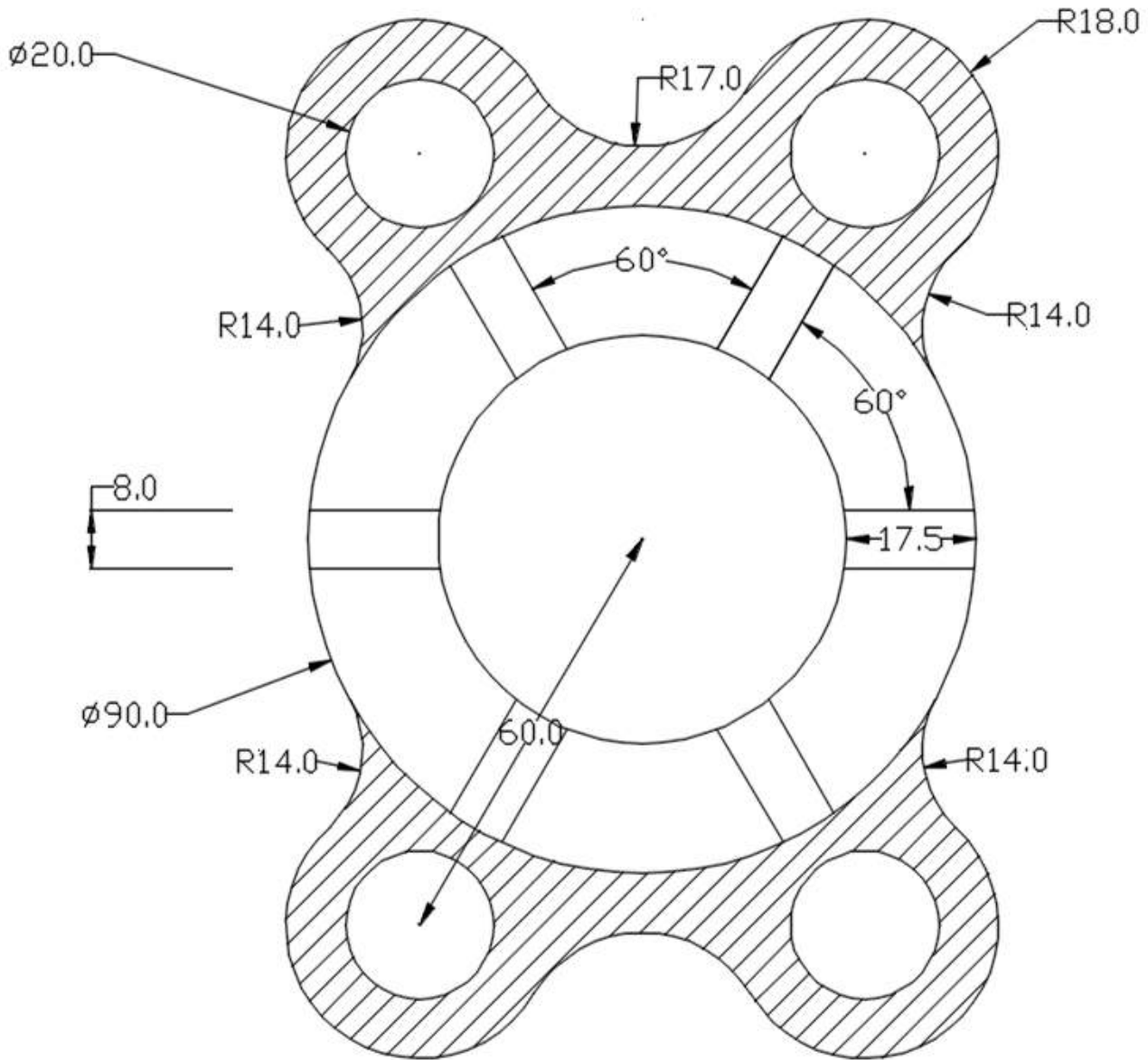


Figure #12: 25 points

